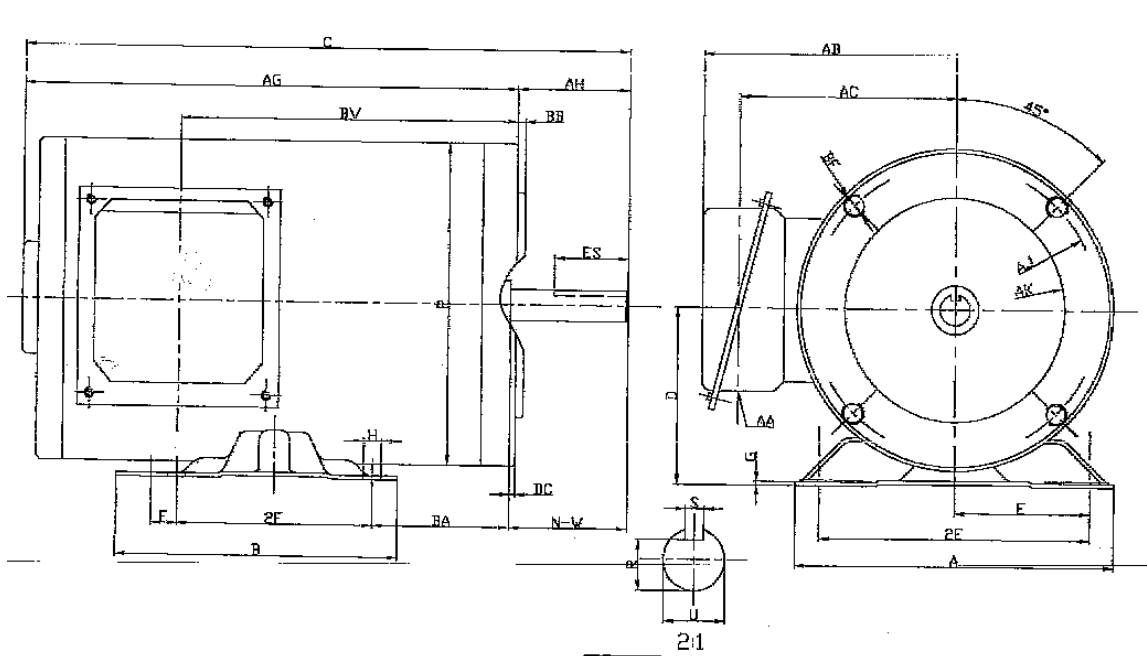


TENV Stainless Steel Electric Motor Mounting Dimensions



Hp	Rpm	Frame	A	B	C	D	E	2E	F	2F	G	H	N-W	P	R
1/3	3600	56C	6.5	5	12.14	3.5	2.44	4.88	2	3	0.09	0.34x1.22	1.88	6.5	0.517
1/2	3600	56C	6.5	5	12.14	3.5	2.44	4.88	2	3	0.09	0.34X1.22	1.88	6.5	0.517
3/4	3600	56C	6.5	5	12.14	3.5	2.44	4.88	2	3	0.09	0.34X1.22	1.88	6.5	0.517
1	3600	56C	6.5	5	13.52	3.5	2.44	4.88	2	3	0.09	0.34X1.22	1.88	6.5	0.517
1/3	1800	56C	6.5	5	9.97	3.5	2.44	4.88	2	3	0.09	0.34X1.22	1.88	6.5	0.517
1/2	1800	56C	6.5	5	9.97	3.5	2.44	4.88	2	3	0.09	0.34X1.22	1.88	6.5	0.517
3/4	1800	56C	6.5	5	9.97	3.5	2.44	4.88	2	3	0.09	0.34X1.22	1.88	6.5	0.157
1	1800	56C	6.5	5	12.14	3.5	2.44	4.88	2	3	0.09	0.34X1.22	1.88	6.5	0.517
1/2	1200	56C	6.5	5	9.97	3.5	2.44	4.88	2	3	0.09	0.34X1.22	1.88	6.5	0.517
3/4	1200	56C	6.5	5	12.14	3.5	2.44	4.88	2	3	0.09	0.34X1.22	1.88	6.5	0.517
1	1800	143TC	6.5	5	12.2	3.5	2.75	5.5	1	4	0.09	0.34	2.25	6.5	0.771
1.5	1800	145TC	6.5	6.5	13.58	3.5	2.75	5.5	1	4	0.09	0.34	2.25	6.5	0.771
2	1800	145TC	6.5	6.5	15.55	3.5	2.75	5.5	1	4	0.09	0.34	2.25	6.5	0.771
1.5	3600	145TC	6.5	6.5	15.55	3.5	2.75	5.5	1	4	0.09	0.34	2.25	6.5	0.771
2	3600	145TC	6.5	6.5	15.55	3.5	2.75	5.5	1	4	0.09	0.34	2.25	6.5	0.771

Hp	Rpm	Frame	S	U	AA	AB	AC	AG	AH	AJ	AK	BA	BB	BC	BF	BV
1/3	3600	56C	0.188	0.625	0.8	6	4.4	10.08	2.06	5.875	4.5	2.75	0.16	-0.19	3/8-16	7.26
1/2	3600	56C	0.188	0.625	0.8	6	4.4	10.08	2.06	5.875	4.5	2.75	0.16	-0.19	3/8-16	7.26
3/4	3600	56C	0.188	0.625	0.8	6	4.4	10.08	2.06	5.875	4.5	2.75	0.16	-0.19	3/8-16	7.26
1	3600	56C	0.188	0.625	0.8	6	4.4	11.46	2.06	5.875	4.5	2.75	0.16	-0.19	3/8-16	8.64
1/3	1800	56C	0.188	0.625	0.8	6	4.4	7.91	2.06	5.875	4.5	2.75	0.16	-0.19	3/8-16	5.10
1/2	1800	56C	0.188	0.625	0.8	6	4.4	7.91	2.06	5.875	4.5	2.75	0.16	-0.19	3/8-16	5.10
3/4	1800	56C	0.188	0.625	0.8	6	4.4	7.91	2.06	5.875	4.5	2.75	0.16	-0.19	3/8-16	5.10
1	1800	56C	0.188	0.625	0.8	6	4.4	10.08	2.06	5.875	4.5	2.75	0.16	-0.19	3/8-16	7.26
1/2	1200	56C	0.188	0.625	0.8	6	4.4	7.91	2.06	5.875	4.5	2.75	0.16	-0.19	3/8-16	5.10
3/4	1200	56C	0.188	0.625	0.8	6	4.4	10.08	2.06	5.875	4.5	2.75	0.16	-0.19	3/8-16	7.26
1	1800	143TC	0.188	0.875	0.8	6	4.4	10.08	2.12	5.875	4.5	2.25	0.16	0.12	3/8-16	7.26
1.5	1800	145TC	0.188	0.875	0.8	6	4.4	11.46	2.12	5.875	4.5	2.25	0.16	0.12	3/8-16	8.64
2	1800	145TC	0.188	0.875	0.8	6	4.4	13.43	2.12	5.875	4.5	2.25	0.16	0.12	3/8-16	10.6
1.5	3600	145TC	0.188	0.875	0.8	6	4.4	13.43	2.12	5.875	4.5	2.25	0.16	0.12	3/8-16	10.6
2	3600	145TC	0.188	0.875	0.8	6	4.4	13.43	2.12	5.875	4.5	2.25	0.16	0.12	3/8-16	10.6